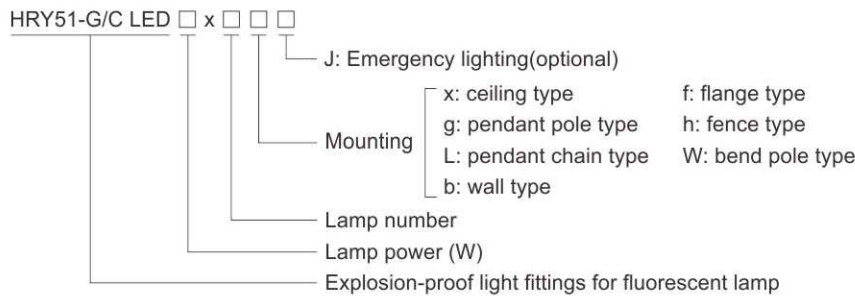


Light Fittings for Fluorescent Lamp HRY51-G/C LED Series Explosion-proof Light Fittings



- ◆ Explosion protection to
 - CENELEC
 - IEC
 - NEC
- ◆ Can be used in
 - Zone 1 and Zone 2
 - Zone 21 and Zone 22
 - Class I, Zone 1 and Zone 2
 - Class I, Division 2, Groups A, B, C, D
- ◆ Clear polycarbonate transparent cover, high light transmittance, resistance to high energy impact and thermal fusion.
- ◆ Enclosure is formed of stainless steel.
- ◆ Built-in electronic ballast, power factor ≥ 0.95 .
- ◆ LED driver, wide voltage input, CC-CV (constant current - constant voltage) output, power factor ≥ 0.95 .
- ◆ Emergency functions is available on request.

Catalogue number logic



Selection table

Type / Ordering code	Lamp power(W)	Weight (kg)	Type / Ordering code	Lamp power(W)	Weight (kg)	Type / Ordering code	Lamp power(W)	Weight (kg)
HR Y51-G/C LED 9 x 2x	9×2	7.20	HR Y51-G/C LED 14 x 2x	14×2	8.50	HR Y51-G/C LED 14 x 2xJ	14×2	8.80
HR Y51-G/C LED 9 x 2g	9×2	7.35	HR Y51-G/C LED 14 x 2g	14×2	8.65	HR Y51-G/C LED 14 x 2gJ	14×2	8.95
HR Y51-G/C LED 9 x 2b	9×2	7.55	HR Y51-G/C LED 14 x 2b	14×2	8.85	HR Y51-G/C LED 14 x 2bJ	14×2	9.15
HR Y51-G/C LED 9 x 2W	9×2	7.20	HR Y51-G/C LED 14 x 2W	14×2	8.50	HR Y51-G/C LED 14 x 2WJ	14×2	8.80
HR Y51-G/C LED 9 x 2h	9×2	7.20	HR Y51-G/C LED 14 x 2h	14×2	8.50	HR Y51-G/C LED 14 x 2hJ	14×2	8.80
HR Y51-G/C LED 9 x 2f	9×2	7.20	HR Y51-G/C LED 14 x 2f	14×2	8.50	HR Y51-G/C LED 14 x 2fJ	14×2	8.80
HR Y51-G/C LED 9 x 2L	9×2	7.50	HR Y51-G/C LED 14 x 2L	14×2	8.80	HR Y51-G/C LED 14 x 2LJ	14×2	9.10
HR Y51-G/C LED 18 x 2x	18×2	11.20	HR Y51-G/C LED 28 x 2x	28×2	12.50	HR Y51-G/C LED 28 x 2xJ	28×2	12.80
HR Y51-G/C LED 18 x 2g	18×2	11.35	HR Y51-G/C LED 28 x 2g	28×2	12.65	HR Y51-G/C LED 28 x 2gJ	28×2	12.95
HR Y51-G/C LED 18x 2b	18×2	11.55	HR Y51-G/C LED 28x 2b	28×2	12.85	HR Y51-G/C LED 28x 2bJ	28×2	13.15
HR Y51-G/C LED 18 x 2W	18×2	11.20	HR Y51-G/C LED 28 x 2W	28×2	12.50	HR Y51-G/C LED 28 x 2WJ	28×2	12.80
HR Y51-G/C LED 18 x 2h	18×2	11.20	HR Y51-G/C LED 28 x 2h	28×2	12.50	HR Y51-G/C LED 28 x 2hJ	28×2	12.80
HR Y51-G/C LED 18 x 2f	18×2	11.20	HR Y51-G/C LED 28 x 2f	28×2	12.50	HR Y51-G/C LED 28 x 2fJ	28×2	12.80
HR Y51-G/C LED 18 x 2L	18×2	11.50	HR Y51-G/C LED 28 x 2L	28×2	12.80	HR Y51-G/C LED 28 x 2LJ	28×2	13.10

Note: 1. Products above include all the mounting accessories listed in Mounting Accessories & Spare Parts Table (see P2/47).

Zones 1&2; 21&22

Light Fittings for Fluorescent Lamp

HRY51-G/C LED Series Explosion-proof Light Fittings

Technical data																				
Explosion-proof light fittings HRY51-G/C LED □ × □□□																				
Explosion protection																				
Global (IECEX)	IECEX CML 20. 0167X																			
Gas and dust	Ex db eb IIC T□ Gb Ex db eb q IIC T□ Gb Ex tb IIIC T80°C Db IP66/IP67																			
Europe (ATEX)	CML 20 ATEX 1296X																			
Gas and dust	⊕ II 2 G Ex db eb IIC T□ Gb ⊕ II 2 G Ex db eb q IIC T□ Gb ⊕ II 2 D Ex tb IIIC T80°C Db IP66/IP67																			
Certificates	IECEX; ATEX; CU-TR																			
Conformity to standards	EN 60079-0, EN 60079-1, EN 60079-5, EN 60079-7, EN 60079-28, EN 60079-31 IEC 60079-0, IEC 60079-1, IEC 60079-5, IEC 60079-7, IEC 60079-28, IEC 60079-31																			
Material																				
Enclosure	Stainless steel																			
Diffuser	Clear polycarbonate, stands 4J impact																			
Ballast	Electronic ballast, power factor ≥ 0.95																			
LED driver	Wide voltage input, CC-CV (constant current - constant voltage) output, power factor ≥ 0.95																			
Exposed fastener	Stainless steel																			
Lamp																				
Lamp specification	LED module (supplied with the light fittings)																			
Lamp power (W)	9Wx2, 18Wx2, 14Wx2, 28Wx2																			
Colour rendering index (Ra)	≥ 80																			
LED Colour temperature (CCT)	5000K Note: nature white is available in general. Warm white or cool white is optional, please specify when ordering.																			
Rated voltage	9Wx2, 18Wx2: 170~264V AC 50/60Hz 14Wx2, 28Wx2: 100~277V AC 50/60Hz, 200~250V DC																			
Degree of protection	IP66/IP67																			
Ambient temperature	<table border="1"> <thead> <tr> <th>Rated Power (W)</th> <th>Ex-mark</th> <th>Ambient temperature</th> </tr> </thead> <tbody> <tr> <td rowspan="2">9×2□ 18×2□</td> <td>⊕ II 2 G Ex db eb IIC T6 Gb ⊕ II 2 D Ex tb IIIC T80°C Db</td> <td>-40°C~+57°C</td> </tr> <tr> <td>⊕ II 2 G Ex db eb IIC T5 Gb ⊕ II 2 D Ex tb IIIC T80°C Db</td> <td>-40°C~+58°C</td> </tr> <tr> <td rowspan="2">14×2□ 28×2□</td> <td>⊕ II 2 G Ex db eb q IIC T6 Gb ⊕ II 2 D Ex tb IIIC T80°C Db</td> <td>-40°C~+53°C</td> </tr> <tr> <td>⊕ II 2 G Ex db eb q IIC T5 Gb ⊕ II 2 D Ex tb IIIC T80°C Db</td> <td>-40°C~+58°C</td> </tr> <tr> <td rowspan="2">14×2□J 28×2□J</td> <td>⊕ II 2 G Ex db eb q IIC T6 Gb ⊕ II 2 D Ex tb IIIC T80°C Db</td> <td>-40°C~+48°C</td> </tr> <tr> <td>⊕ II 2 G Ex db eb q IIC T5 Gb ⊕ II 2 D Ex tb IIIC T80°C Db</td> <td>-40°C~+53°C</td> </tr> </tbody> </table>		Rated Power (W)	Ex-mark	Ambient temperature	9×2□ 18×2□	⊕ II 2 G Ex db eb IIC T6 Gb ⊕ II 2 D Ex tb IIIC T80°C Db	-40°C~+57°C	⊕ II 2 G Ex db eb IIC T5 Gb ⊕ II 2 D Ex tb IIIC T80°C Db	-40°C~+58°C	14×2□ 28×2□	⊕ II 2 G Ex db eb q IIC T6 Gb ⊕ II 2 D Ex tb IIIC T80°C Db	-40°C~+53°C	⊕ II 2 G Ex db eb q IIC T5 Gb ⊕ II 2 D Ex tb IIIC T80°C Db	-40°C~+58°C	14×2□J 28×2□J	⊕ II 2 G Ex db eb q IIC T6 Gb ⊕ II 2 D Ex tb IIIC T80°C Db	-40°C~+48°C	⊕ II 2 G Ex db eb q IIC T5 Gb ⊕ II 2 D Ex tb IIIC T80°C Db	-40°C~+53°C
Rated Power (W)	Ex-mark	Ambient temperature																		
9×2□ 18×2□	⊕ II 2 G Ex db eb IIC T6 Gb ⊕ II 2 D Ex tb IIIC T80°C Db	-40°C~+57°C																		
	⊕ II 2 G Ex db eb IIC T5 Gb ⊕ II 2 D Ex tb IIIC T80°C Db	-40°C~+58°C																		
14×2□ 28×2□	⊕ II 2 G Ex db eb q IIC T6 Gb ⊕ II 2 D Ex tb IIIC T80°C Db	-40°C~+53°C																		
	⊕ II 2 G Ex db eb q IIC T5 Gb ⊕ II 2 D Ex tb IIIC T80°C Db	-40°C~+58°C																		
14×2□J 28×2□J	⊕ II 2 G Ex db eb q IIC T6 Gb ⊕ II 2 D Ex tb IIIC T80°C Db	-40°C~+48°C																		
	⊕ II 2 G Ex db eb q IIC T5 Gb ⊕ II 2 D Ex tb IIIC T80°C Db	-40°C~+53°C																		
Terminal	3 x 1.5~4mm ² (L+N+PE)																			
Cable entries	4 x Φ21: 4 x M20 x 1.5 cable glands (DQM-I Ex e, plastic)																			
Available cable outer diameter	Φ9~Φ16 (mm)																			
Emergency data																				
Emergency unit	Special emergency controller and battery pile, with protection against over-charge and overdischarge																			
Emergency power (W)	14W x 30%, 28W x 30%																			
Emergency starting time	0.3s																			
Charging time	24h																			
Emergency lighting time	120min (180min is optional)																			

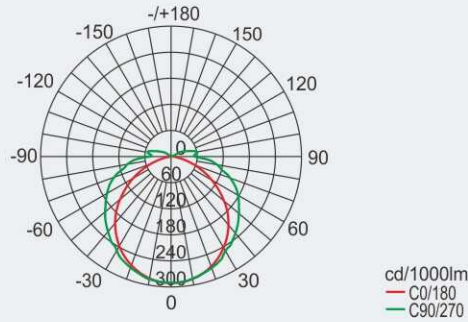


Light Fittings for Fluorescent Lamp HRY51-G/C LED Series Explosion-proof Light Fittings

Photometric data Note: LED luminous flux is from the standard product of which colour temperature is 5000K

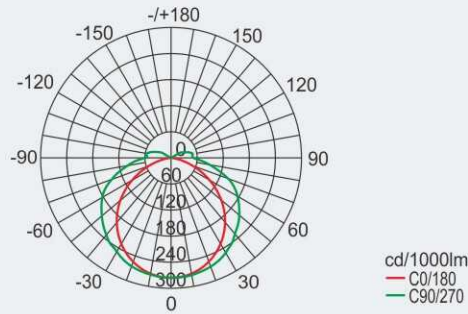
HRY51-G/C LED □ x □□□

Lamp power (W)	Luminous flux	Wattage
9 x 2	1850lm	18.5W
14 x 2	2805lm	28W



HRY51-G/C LED □ x □□□

Lamp power (W)	Luminous flux	Wattage
18 x 2	3835lm	36.5W
28 x 2	5770lm	56W



We can provide lighting design and data by professional lighting software DIALUX based upon simulated site situation on request.

Dimension drawings (all dimensions in mm) - subject to alteration



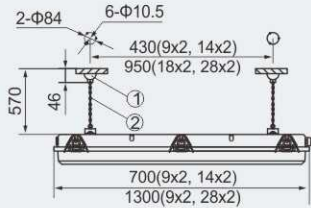
Type / Ordering code	L	W	H	A	B	C	D
HRY51-G/C LED 9x2□, HRY51-G/C LED 14x2□	732	176	120	705	78	12	8.5
HRY51-G/C LED 18x2□, HRY51-G/C LED 28x2□	1340	132	120	1320	78	12	8.5

Light Fittings for Fluorescent Lamp HRY51-G/C LED Series Explosion-proof Light Fittings

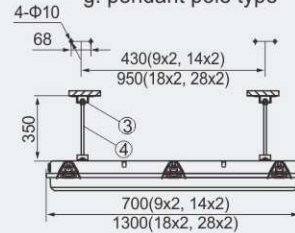
Mounting type (all dimensions in mm) - subject to alteration

Installation reference

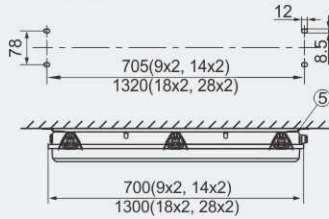
L: pendant chain type



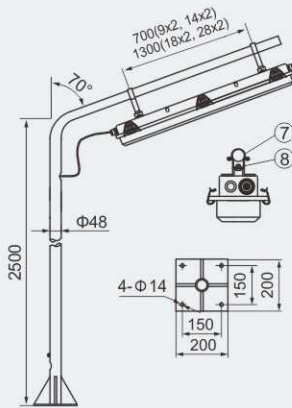
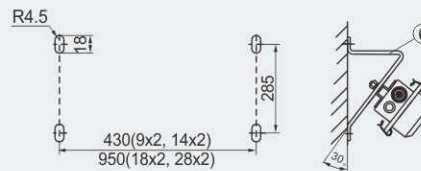
g: pendant pole type



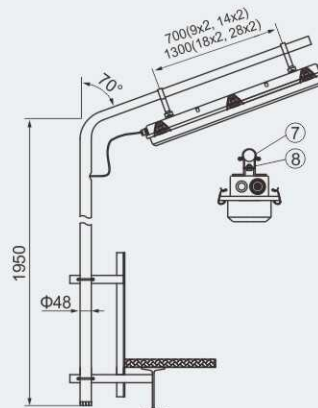
x: ceiling type



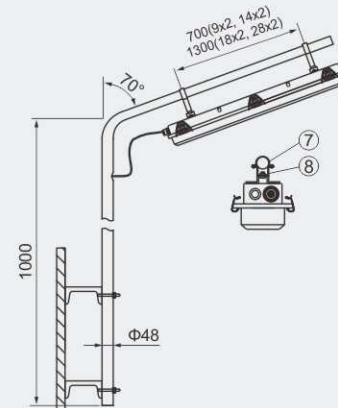
b: wall type



f: flange type



h: fence type



W: bend pole type



Mounting Accessories & Spare Parts Table

Supplied according to the mounting type

Mounting type	Accessories			Ordering code	Weight (kg)
	Name	Qty	Illustration		
L: pendant chain type	①.Sucker	2	See P2/6	5136017	0.15
	②.Chain	2	Length: 450mm	5136016	0.08
g: pendant pole type	③.Mounting bracket	2	Stainless steel, see P2/6	51S01G1	0.04
	④.M8 Screw	2	Stainless steel, length: 350mm	51S01G2	0.12
x: ceiling type	⑤.Mounting bracket	2	Stainless steel	5136015	0.20
b: wall type	⑥.Wall bracket	2	Stainless steel, welded sheet steel	5236B02	0.25
f: flange type	⑦.G1 1/2" Pipe clamp	2	Stainless steel, see P2/7	5136014	0.04
	⑧.Mounting bracket	2	Stainless steel, see P2/7	5136012	0.04
h: fence type	⑦.G1 1/2" Pipe clamp	2	Stainless steel, see P2/7	5136014	0.04
	⑧.Mounting bracket	2	Stainless steel, see P2/7	5136012	0.04
W: bend pole type	⑦.G1 1/2" Pipe clamp	2	Stainless steel, see P2/7	5136014	0.04
	⑧.Mounting bracket	2	Stainless steel, see P2/7	5136012	0.04

Note: Accessories not in the table shall be supplied by user.