

FAT-E 系列防水防尘防腐泛光LED灯 A型

Series Weatherproof LED Floodlights (A type)



Waterproof



Dustproof



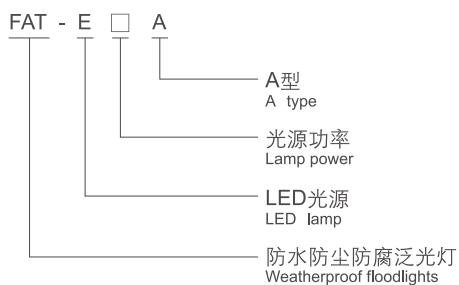
Corrosionproof

Industrial and Mining Weatherproof Light Fittings
工矿防水防尘防腐灯具类



GB IEC EN

◆ 型号规格含义/Catalogue Number Logic

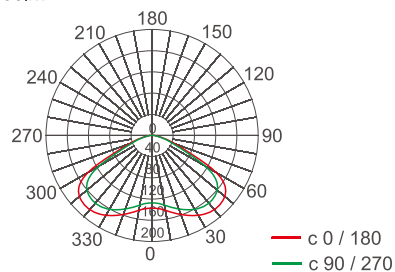


◆ 订货须知/Ordering Information

- ◇ 注明执行标准形式，如中国标准、国际标准、欧盟标准、北美标准
- ◇ 按照产品型号规格说明逐条选择，例如：需要LED泛光灯150W规格，则产品型号为FAT-E150 A；
- ◇ 本灯具出厂时已配光源。
- ◇ Specify the executive standard form, such as Chinese National standard, International standard, European standards and American standards.
- ◇ Follow the product catalogue number logic for selection. For example: 150W LED floodlight, the product type shall be FAT-E150 A.
- ◇ The light fittings are supplied with light source.

◆ 配光曲线/Luminous intensity distribution

cd/1000lm





Waterproof



Dustproof



Corrosionproof

Industrial and Mining Weatherproof Light Fittings
工矿用防水防尘防腐灯具类

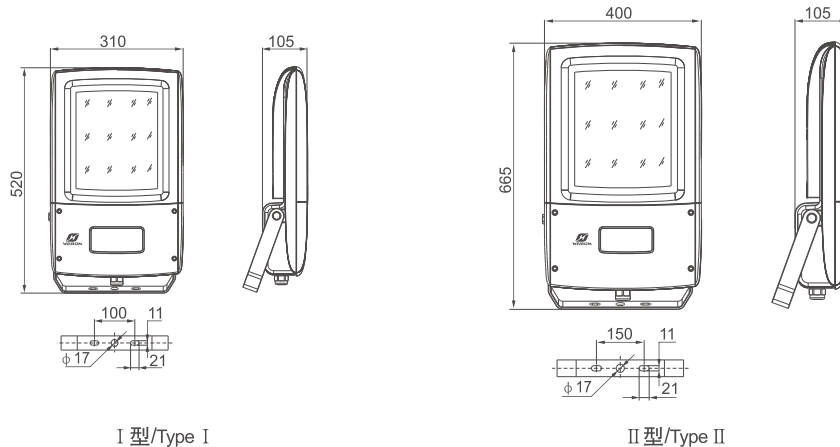
◆ 技术参数/Technical data

执行标准 Executive standards	中国标准(GB)/Chinese National Standards	国际标准(IEC)/International standards 欧盟标准(EN)/European standards 北美标准/American standards
工作电压 Working voltage	220V~240V AC 50Hz/60Hz	100V~300V AC 50Hz/60Hz
环境温度 Ambient temperature	-40℃~+45℃	-40℃~+55℃ -50℃(可选/is optional)
防护等级 Degree of protection	IP66	
防腐等级 Corrosion-proof	WF1、WF2(可选/Optional)	
引入装置 Cable gland	M20 × 1.5引入规格, 适合Φ6.5mm~Φ10mm电缆 M20 × 1.5 Suitable for cable of Φ6.5mm~Φ10mm	
光源功率 Lamp power	I 型/Type I 50W 70W 100W 120W、II 型/Type II 150W 180W 200W	
灯具重量 Weight of light fitting	I 型/Type I 7.5kg、II 型/Type II 12.5kg	

◆ 产品特点/Feature of product

- ◇ 铝合金压铸壳体, 表面高压静电喷塑;
- ◇ 高防腐性能的不锈钢外露紧固件;
- ◇ 光源腔、电源腔分离式结构, 有效保证光源腔的热量不会传导到电源腔;
- ◇ 配置多颗国际品牌LED模块, 合理排布、单向发光、光线均匀柔和、光效高、显色性高、寿命长、绿色环保;
- ◇ 特制的恒流恒压驱动电源, 宽电压输入, 恒功率输出, 高功率因数;
- ◇ 特制铝基板导热结构, 确保光源工作时产生的热量完全传导到散热片上;
- ◇ 电缆布线。
- ◇ Die-casting aluminum alloy enclosure powder coated surface.
- ◇ Stainless steel exposed fasteners, with high corrosion-proof performance.
- ◇ Light source compartment and power source compartment are separated, which can ensure that the heat of light source compartment will not be transferred to power source compartment.
- ◇ Equipped with many international brand of LED modules, reasonable arrangement, unidirectional lighting even and soft light, high luminous efficiency, high color rendering, long service life and environmental protection.
- ◇ Special constant current constant voltage driving source, wide voltage input, constant power output high power factor
- ◇ Special aluminum plate as heat conduction structure, to ensure that the heat is fully conducted
- ◇ Cable wiring.

◆ 外形及安装举例/Outline and mounting type (mm)



I 型/Type I

II 型/Type II