

FAD-E 系列防水防尘防腐LED灯 C型

Series Weatherproof LED Light Fittings (C Type)



Waterproof



Dustproof

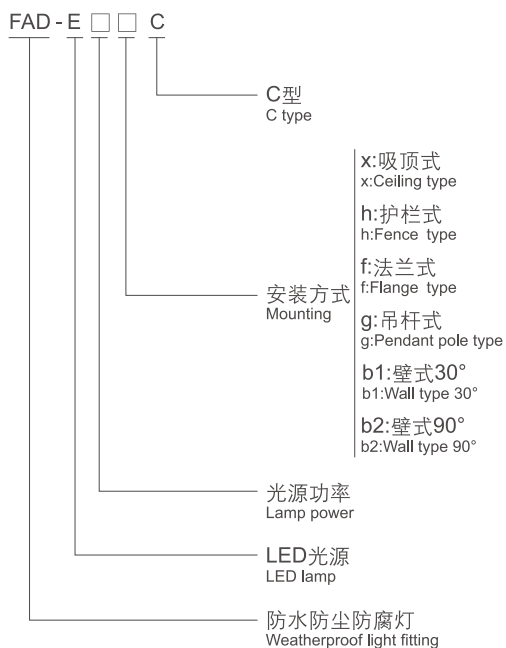


Corrosionproof

Industrial and Mining Weatherproof Light Fittings
工矿防水防尘防腐灯具类



◆ 型号规格含义/Catalogue Number Logic



◆ 订货须知/Ordering Information

- ◇ 注明执行标准形式，如中国标准、国际标准、欧盟标准、北美标准
- ◇ 按照产品型号规格说明逐条选择，例如：需要LED灯70W吊杆式安装，则产品选型为FAD-E70g C；
- ◇ 本灯具出厂时光源已配。
- ◇ Specify the executive standard form, such as Chinese National standard, International standard, European standards and American standards.
- ◇ Follow the product catalogue number logic for selection. For example: 70W LED lamp, pendant pole type, the product type shall be FAD-E70g C.
- ◇ The light fittings are supplied with light source.



Waterproof



Dustproof



Corrosionproof

Industrial and Mining Weatherproof Light Fittings
工矿用防水防尘防腐灯具类

◆ 产品规格/Product specifications

型号规格 Type	额定功率 Rated power	防护等级 Degree of protection	防腐等级 Corrosion-proof	引入装置 Cable gland	壳体类型 Enclosure type
FAD - E□□□C	20	IP66	WF1 WF2(可选/Optional)	G3/4" Φ10mm~Φ14mm	I
	30				
	40				
	50				II
	60				
	70				
	100				

◆ 产品特点/Product features

- ◇ 铝合金压铸壳体，表面高压静电喷塑；
- ◇ 高防腐性能的不锈钢外露紧固件；
- ◇ 钢化玻璃透明罩，棱晶防眩光设计；
- ◇ 专利外形设计，正常工作不积尘；
- ◇ 可开启的光源腔结构，可实现光源更换升级，使产品寿命更长；
- ◇ 高光效、广照式光学设计，发光角度大，配光合理，照度均匀；
- ◇ 专利的隔热技术，特殊隔热材料，有效隔离热传导，保证产品可靠工作；
- ◇ 配置国际品牌COB LED 集成光源，单向发光，光线均匀柔和，光效 > 120lm/W，显色性高，Ra > 80；寿命长，绿色环保；
- ◇ 特制的恒流恒压电源，宽电压输入，恒功率输出，具有恒流、开路保护、短路保护等功能；
- ◇ 钢管布线G3/4"。
- ◇ Die-casting aluminum alloy enclosure powder coated surface
- ◇ Stainless steel exposed fasteners, with high corrosion-proof performance.
- ◇ Toughened glass transparent cover, prism and anti-glare design.
- ◇ Patent appearance, no dust deposition in normal working.
- ◇ Operable light source compartment, easy for replacing the light source, prolong the service life of product.
- ◇ High luminous efficiency, wide illumination design, with large irritation angle, reasonable light distribution and uniform illumination.
- ◇ Patented heat insulation technology, special heat insulation material effectively isolating the heat conduction and keeping the product reliably work
- ◇ Equipped with international COB(LED integrated light sources, unidirectional lighting even and soft light, luminous efficiency > 120lm/W, high color rendering, Ra > 80, long service life and environmental protection.
- ◇ Special constant current constant voltage driving source, wide voltage input, constant power output, with functions of constant current, open circuit protection, short circuit protection etc
- ◇ Steel pipe wiring G3/4"

FAD-E 系列防水防尘防腐LED灯 C型

Series Weatherproof LED Light Fittings (C Type)



Waterproof



Dustproof



Corrosionproof

Industrial and Mining Weatherproof Light Fittings
工矿用水防尘防腐灯具类

技术参数/Technical Parameters



执行标准 / Executive standards	中国标准(GB)/Chinese National standards	国际标准(IEC)/International standards 欧盟标准(EN)/European standards 北美标准/American standards
工作电压 / Working voltage	220V~240V AC 50Hz / 60Hz	100V~300V AC 50Hz / 60Hz
环境温度 / Ambient temperature	-25℃~+45℃	-40℃~+55℃ -50℃(可选/is optional)
防护等级 / Degree of protection	IP66	
防腐等级 / Corrosion-proof	WF1、WF2(可选/Optional)	
引入装置 / Cable gland	G3/4"引入规格, 适合Φ10mm~Φ14mm电缆 G3/4"suitable for cable of Φ10mm~Φ14mm	
接线端子 / Terminal	≤ 2.5mm ² 导线可靠连接 / ≤ 2.5mm ² reliable connection wire	
安装方式 / Mounting	吸顶式(x)、吊杆式(g)、法兰式(f)、护栏式(h)、壁式30° (b1)、壁式90° (b2) Ceiling type(x),Pendant pole type(g),Flange type(f),Fence type(h),Wall type30° (b1),Wall type90° (b2)	
灯具重量 / Weight of light fitting	I 型/Type I 2kg、II 型/Type II 4kg	
光源功率 / Lamp power	20W、30W、40W、50W、60W、70W、100W	
配光曲线 / Luminous intensity distribution cd/1000lm		



Waterproof



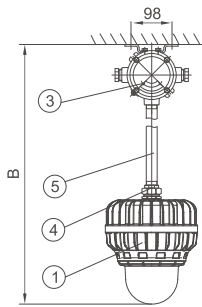
Dustproof



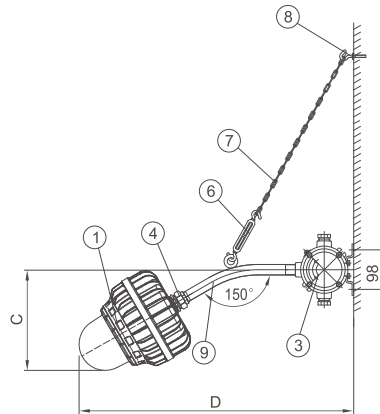
Corrosionproof

Industrial and Mining Weatherproof Light Fittings
工矿用防水防尘防腐灯具类

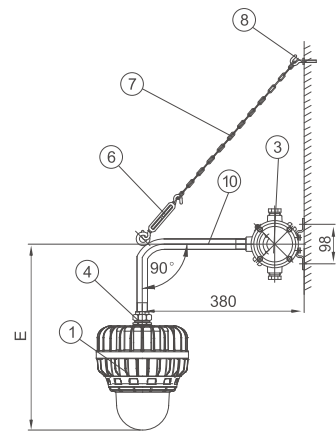
◆ 外形及安装举例/Outline and mounting type



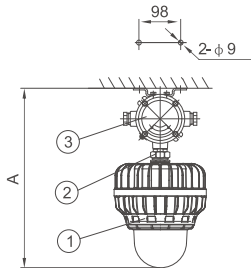
吊杆式/Pendant pole type(g)



壁式/Wall type 30° (b1)

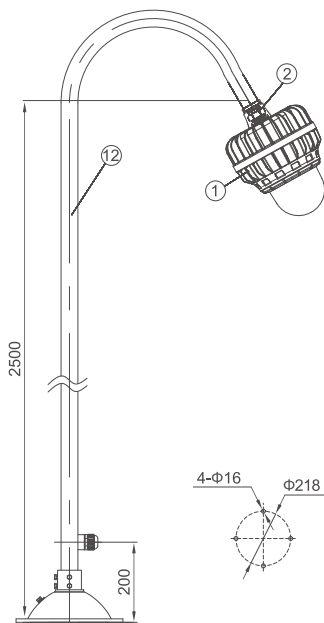


壁式/Wall type 90° (b2)

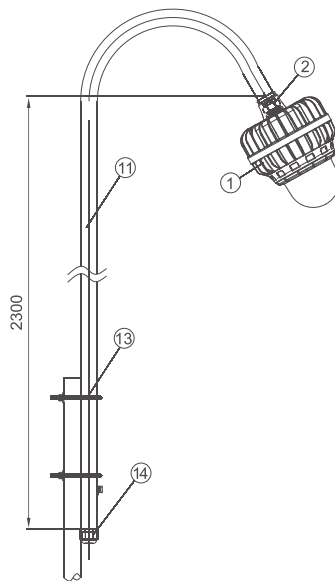


吸顶式/Ceiling type(x)

尺寸 Size	A	B	C	D	E
壳体 Enclosure I型/Type I	367	637	160	680	400
II型/Type II	405	672	180	730	435



法兰式/Flange type (f)



护栏式/Fence type (h)

序号 No.	名称 Name	备注 Remark
1	FAD-E防水防尘防腐LED灯 FAD-E Weatherproof LED light fittings	
2	防腐活接头FHJ-G ^{3/4} "(外)/ ^{3/4} "(外) Weatherproof connector FHJ-G3/4" (male)/ G3/4" (male)	
3	防水防尘防腐接线盒FHD-G ^{3/4} "K Weatherproof junction box FHD-G3/4"K	
4	防腐活接头FHJ-G ^{3/4} "(外)/ ^{3/4} "(内) Weatherproof connector FHJ-G3/4" (male)/ G3/4" (female)	用户自备 supplied by user
5	直杆G ^{3/4} " Straight pole	300mm
6	CC型索具螺旋扣 CC type rigging spiral buckle	
7	链条 Chain	450mm
8	膨胀螺钉 Expansion screw	
9	30°弯杆G ^{3/4} " 30° bend pole G3/4"	300mm
10	90°弯杆G ^{3/4} " 90° bend pole G3/4"	400mm
11	护栏杆G1 ^{1/4} " fence pole G1 1/4"	
12	法兰杆G1 ^{1/4} " flange pole G1 1/4"	
13	U型管夹 U type pipe clamps	用户自备 supplied by user
14	三防密封接头FQM- I -G ^{3/4} " Weatherproof cable gland FQM-I- G3/4"	