

应用场所 Application

- 适用于船舶、港口、码头等作露天场所搜索照明。
- Suitable for search illumination in open spaces like ships, ports and wharfs, etc..

灯体 Housing

- 不锈钢，表面喷塑
- Stainless steel, powder coated surface

透明罩 Transparent cover

- 钢化玻璃
- Toughened glass

电气 Electric

- 恒流恒压驱动电源，宽电压输入 100V~277V AC 50/60Hz
- Constant current constant voltage driving power, wide voltage input 100V-277V AC 50/60Hz



A: 电动 Auto

B: 手动 Hand

卡扣 Buckle

- 不锈钢
- Stainless steel

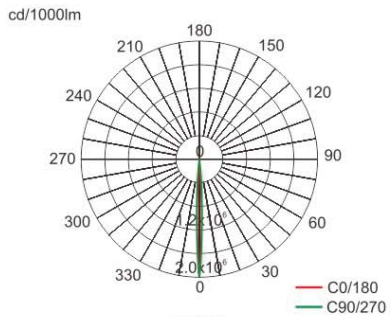
技术参数 Technical parameters

执行标准 Conformity to standards	GB 11472, GB 7000.7, GB/T 24954, IEC 60598, CCS入级规范 (CCS standard)
环境温度 Ambient temperature	-40°C~+55°C
光源类型 Light source	LED 模组 LED module
色温 Color temperature	5000K
显色指数 Color rendering index	Ra ≥ 70
防护等级 Degree of protection	IP66
电缆引入口 Cable entrise	A型: 配FQM-I, M20×1.5格兰, 适用于Φ6~Φ12mm电缆 Type A: With FQM-I, M20×1.5 gland, suitable for Φ6-Φ12mm cable 电动装置: 适用于Φ12~Φ14mm电缆 Electric device: Suitable for Φ12-Φ14mm cable B型: 配FQM-I, 2×M20×1.5格兰, 适用于Φ6~Φ12mm电缆 Type B: With FQM-I, 2×M20×1.5 gland, suitable for Φ6-Φ12mm cable
接线端子 Terminal	3×1.5~4mm ²

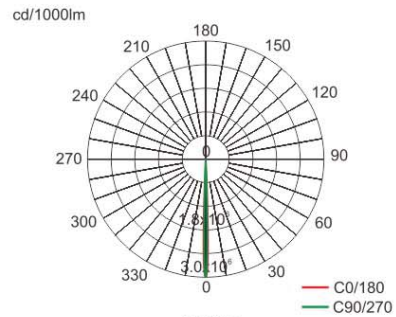
选配表 Selection table

型号 Type	额定电压(V) Rated voltage	额定功率(W) Rated power	中心光强(cd) Central light intensity	发散角 Divergence angle	重量(kg) Weight
CTZ4-LED200A	100V~277V AC 50/60Hz	200W	2 × 10 ⁶	3.5°	67.0
CTZ4-LED200B		200W	2 × 10 ⁶		40.0
CTZ4-LED300A		300W	3 × 10 ⁶		67.0
CTZ4-LED300B		300W	3 × 10 ⁶		40.0

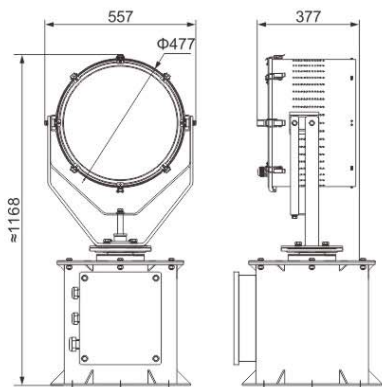
外形尺寸 Outline dimension



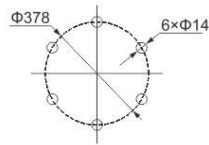
200W
配光曲线
Light distribution curve



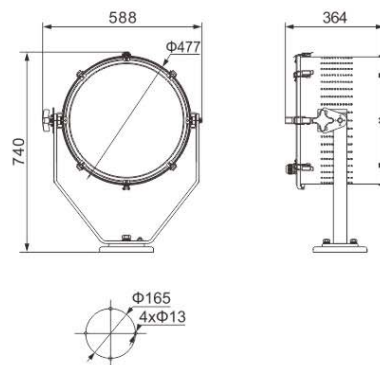
300W
配光曲线
Light distribution curve



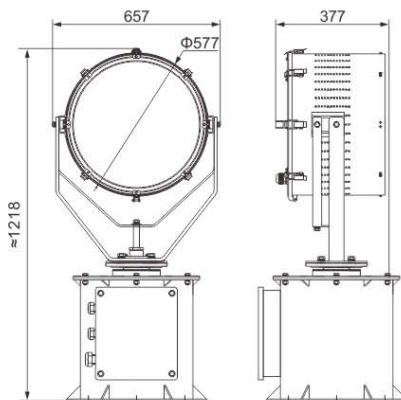
电动 Auto



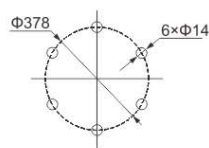
CTZ4-LED 200



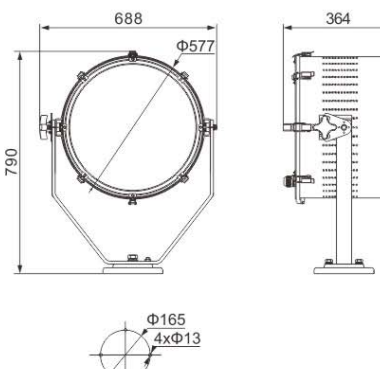
手动 Hand



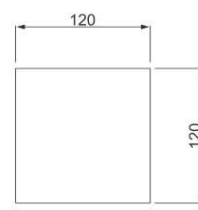
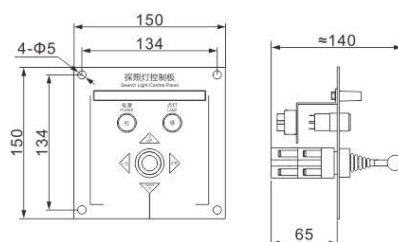
电动 Auto



CTZ4-LED 300



手动 Hand



开孔尺寸 Hole size