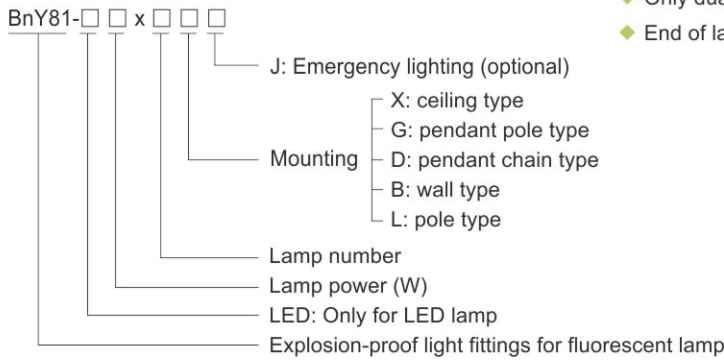


Light Fittings for Fluorescent Lamp BnY81 Series Explosion-proof Light Fittings for Fluorescent Lamp

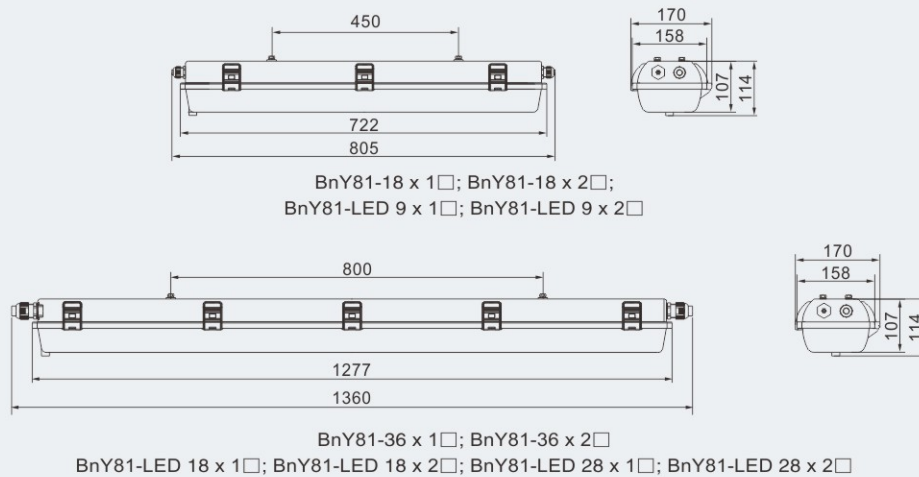


- ◆ Explosion protection to
 - CENELEC
 - IEC
 - NEC
- ◆ Can be used in
 - Zone 2
 - Zone 21 and Zone 22
 - Class I, Zone 2
 - Class I, Division 2, Groups A, B, C, D
- ◆ Two enclosure types: Type I and Type II
- ◆ Applicable lamp power:
 - Fluorescent lamps: 18W x 1, 36W x 1
 - 18W x 2, 36W x 2
 - LED lamps: 9W (10W) x 1, 18W(19W) x 1, 28W(25W) x 1
 - 9W(10W) x 2, 18W(19W) x 2, 28W(25W) x 2
- ◆ Built-in electronic ballast, wide voltage input, rapid starting, stable performance, power factor ≥ 0.95 .
- ◆ LED light fittings: Built-in LED driver, wide voltage input, CC-CV (constant current - constant voltage) output, power factor ≥ 0.95 .
- ◆ Only dual tube light fittings have emergency lighting function.
- ◆ End of lamp life (EOL) rectification effect protection.

Catalogue number logic



Dimension drawings (all dimensions in mm) - subject to alteration



Zones 2; 21&22

Light Fittings for Fluorescent Lamp

BnY81 Series Explosion-proof Light Fittings for Fluorescent Lamp

Technical data

Explosion-proof light fittings for fluorescent lamp BnY81-□ × □□□

Explosion protection

Global (IECEX)	IECEX CQM 12.0046X
Gas and dust	Ex nA IIC T4 Gc
	Ex t IIIC T80°C Db IP66
Europe (ATEX)	LCIE 12 ATEX 1009X (gas); LCIE 12 ATEX 3019X (dust)

Gas and dust	⊕ II 3 G Ex nA IIC T4 Gc
	⊕ II 2 D Ex t IIIC T80°C Db IP66

Certificates

IECEX; ATEX; CU-TR

Conformity to standards

EN 60079-0, EN 60079-15, EN 60079-31
IEC 60079-0, IEC 60079-15, IEC 60079-31

Material

Enclosure	Polycarbonate, stands 7J impact, corrosion-proof
Diffuser	Polycarbonate, high light transmission, stands 7J impact, corrosion-proof
Ballast	Electronic ballast
Exposed fastener	Stainless steel

Lamp

Lamp specification	T8 tube (supplied with the light fittings)	
Lamp power (W)	18W×1	18W×2
	36W×1	36W×2

Rated voltage

100~300V AC 50/60Hz

Degree of protection

IP66, IP67(optional)

Ambient temperature

-20°C~+55°C

Terminal

3 x 1.5~4mm² (L+N+PE)

Mounting

Ceiling type, pendant pole type, pendant chain type, wall type, pole type

Cable entries

4 x Φ26: 2 x M25 x 1.5 cable glands (DQM-I Ex e, plastic), 2 x M25 x 1.5 plugs.
Φ9~Φ16(mm);

Emergency data

Emergency unit	Special emergency controller and battery pile, with protection against overcharge and overdischarge
Emergency power (W)	36W x 1
Emergency starting time	0.3s
Charging time	24h
Emergency lighting time	120min (180min is optional)



Selection table

Type / Ordering code	Lamp power(W)	Weight (kg)	Type / Ordering code	Lamp power(W)	Weight (kg)
BnY81-18 x 1X	18 x 1	2.25	BnY81-36 x 1X	36 x 1	3.55
BnY81-18 x 1G	18 x 1	2.45	BnY81-36 x 1G	36 x 1	3.75
BnY81-18 x 1D	18 x 1	2.60	BnY81-36 x 1D	36 x 1	3.90
BnY81-18 x 1B	18 x 1	2.60	BnY81-36 x 1B	36 x 1	3.90
BnY81-18 x 1L	18 x 1	2.30	BnY81-36 x 1L	36 x 1	3.60
BnY81-18 x 2X	18 x 2	2.50	BnY81-36 x 2X	36 x 2	3.70
BnY81-18 x 2G	18 x 2	2.70	BnY81-36 x 2G	36 x 2	4.10
BnY81-18 x 2D	18 x 2	2.85	BnY81-36 x 2D	36 x 2	4.25
BnY81-18 x 2B	18 x 2	2.85	BnY81-36 x 2B	36 x 2	4.25
BnY81-18 x 2L	18 x 2	2.55	BnY81-36 x 2L	36 x 2	3.95
			BnY81-36 x 2XJ	36 x 2	4.90
			BnY81-36 x 2GJ	36 x 2	5.15
			BnY81-36 x 2DJ	36 x 2	5.15
			BnY81-36 x 2BJ	36 x 2	5.25
			BnY81-36 x 2LJ	36 x 2	5.00

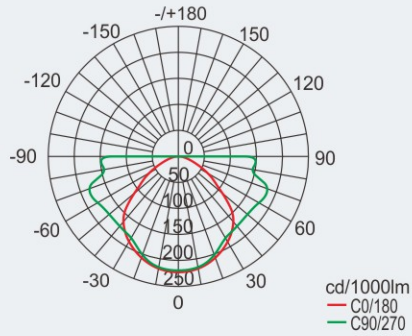
Note: 1. Products above include all the mounting accessories listed in Mounting Accessories & Spare Parts Table (see P2/39).

Light Fittings for Fluorescent Lamp BnY81 Series Explosion-proof Light Fittings for Fluorescent Lamp

Photometric data

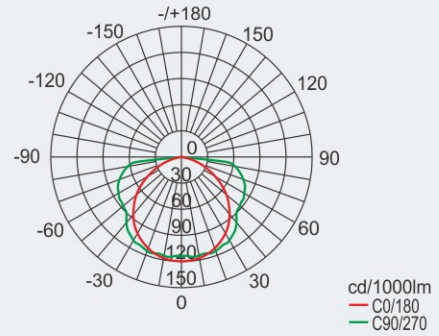
BnY81-18x1□

Lamp power (W)	Rated luminous flux (Lamp tube)	Luminaire efficiency
18 x 1	1300lm	70%



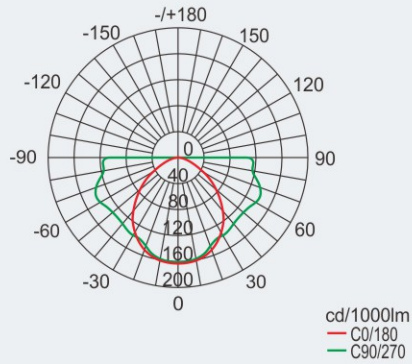
BnY81-18x2□□

Lamp power (W)	Rated luminous flux (Lamp tube)	Luminaire efficiency
18 x 2	2600lm	65%



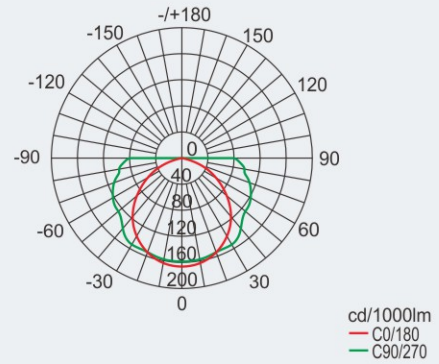
BnY81-36x1□

Lamp power (W)	Rated luminous flux (Lamp tube)	Luminaire efficiency
36 x 1	3250lm	65%



BnY81-36x2□□

Lamp power (W)	Rated luminous flux (Lamp tube)	Luminaire efficiency
36 x 2	6500lm	65%



We can provide lighting design and data by professional lighting software DIALUX based upon simulated site situation on request.

Light Fittings for Fluorescent Lamp

BnY81 Series Explosion-proof Light Fittings for Fluorescent Lamp

Technical data	
Explosion-proof light fittings for fluorescent lamp BnY81-LED □ × □ □ □	
Explosion protection	
Global (IECEX) Gas and dust	IECEX CQM 12.0046X Ex nA IIC T4 Gc
Europe (ATEX) Gas and dust	Ex t IIIC T80°C Db IP66 LCIE 12 ATEX 1009X (gas); LCIE 12 ATEX 3019X (dust) ⊕ II 3 G Ex nA IIC T4 Gc ⊕ II 2 D Ex t IIIC T80°C Db IP66
Certificates	IECEX; ATEX; CU-TR
Conformity to standards	EN 60079-0, EN 60079-15, EN 60079-31 IEC 60079-0, IEC 60079-15, IEC 60079-31
Material	
Enclosure	Polycarbonate, stands 7J impact, corrosion-proof
Diffuser	Polycarbonate, high light transmission, stands 7J impact, corrosion-proof
Exposed fastener	Stainless steel
LED driver	Wide voltage input, CC-CV (constant current - constant voltage) output, power factor ≥ 0.95, with function of distributed current, constant current, surge-proof and anti-electromagnetic interference, and protection against overcurrent, open circuit, and short circuit.
Lamp	
Lamp specification	LED module (supplied with the light fittings)
Lamp power (W)	9W(10W)×1, 9W(10W)×2, 18W(19W)×1, 18W(19W)×2, 28W(25W)×1, 28W(25W)×2
Colour rendering index (Ra)	≥ 80
Colour temperature (CCT)	5000K Note: nature white is available in general. Warm white or cool white is optional, please specify when ordering.
Rated voltage	110~265V AC 50/60Hz
Degree of protection	IP66, IP67(optional)
Ambient temperature	-20°C~+55°C
Terminal	3 x 1.5~4mm ² (L+N+PE)
Mounting	Ceiling type, pendant pole type, pendant chain type, wall type, pole type
Cable entries	4 x Φ26: 2 x M25 x 1.5 cable glands (DQM-I Ex e, plastic), 2 x M25 x 1.5 plugs.
Available cable outer diameter	Φ9~Φ16(mm);
Emergency data	
Emergency unit	Special emergency controller and battery pile, with protection against overcharge and overdischarge
Emergency power (W)	18W x 1, 28W x 1
Emergency starting time	0.3s
Charging time	24h
Emergency lighting time	120min (180min is optional)



Selection table

Type / Ordering code	Lamp power(W)	Weight (kg)	Type / Ordering code	Lamp power(W)	Weight (kg)	Type / Ordering code	Lamp power(W)	Weight (kg)
BnY81-LED 9 x 1X	9 x 1	2.15	BnY81-LED 18 x 1X	18 x 1	3.60	BnY81-LED 28 x 1X	28 x 1	3.80
BnY81-LED 9 x 1G	9 x 1	2.25	BnY81-LED 18 x 1G	18 x 1	3.80	BnY81-LED 28 x 1G	28 x 1	4.00
BnY81-LED 9 x 1D	9 x 1	2.40	BnY81-LED 18 x 1D	18 x 1	3.95	BnY81-LED 28 x 1D	28 x 1	4.20
BnY81-LED 9 x 1B	9 x 1	2.40	BnY81-LED 18 x 1B	18 x 1	3.95	BnY81-LED 28 x 1B	28 x 1	4.20
BnY81-LED 9 x 1L	9 x 1	2.20	BnY81-LED 18 x 1L	18 x 1	3.65	BnY81-LED 28 x 1L	28 x 1	3.90
BnY81-LED 9 x 2X	9 x 2	2.35	BnY81-LED 18 x 2X	18 x 2	3.95	BnY81-LED 28 x 2X	28 x 2	4.95
BnY81-LED 9 x 2G	9 x 2	2.55	BnY81-LED 18 x 2G	18 x 2	4.15	BnY81-LED 28 x 2G	28 x 2	5.15
BnY81-LED 9 x 2D	9 x 2	2.70	BnY81-LED 18 x 2D	18 x 2	4.30	BnY81-LED 28 x 2D	28 x 2	5.25
BnY81-LED 9 x 2B	9 x 2	2.70	BnY81-LED 18 x 2B	18 x 2	4.30	BnY81-LED 28 x 2B	28 x 2	5.30
BnY81-LED 9 x 2L	9 x 2	2.40	BnY81-LED 18 x 2L	18 x 2	4.00	BnY81-LED 28 x 2L	28 x 2	5.00
			BnY81-LED 18 x 2XJ	18 x 2	4.45	BnY81-LED 28 x 2XJ	28 x 2	5.40
			BnY81-LED 18 x 2GJ	18 x 2	4.65	BnY81-LED 28 x 2GJ	28 x 2	5.60
			BnY81-LED 18 x 2DJ	18 x 2	4.80	BnY81-LED 28 x 2DJ	28 x 2	5.75
			BnY81-LED 18 x 2BJ	18 x 2	4.80	BnY81-LED 28 x 2BJ	28 x 2	5.80
			BnY81-LED 18 x 2LJ	18 x 2	5.40	BnY81-LED 28 x 2LJ	28 x 2	5.45

Note: 1. Products above include all the mounting accessories listed in Mounting Accessories & Spare Parts Table (see P2/39).

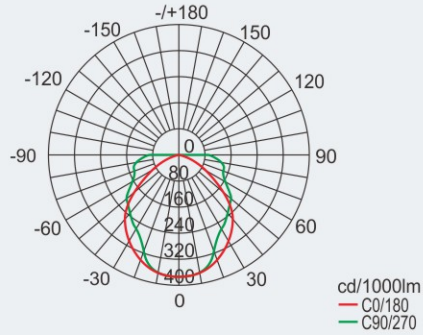
Light Fittings for Fluorescent Lamp BnY81 Series Explosion-proof Light Fittings for Fluorescent Lamp

Photometric data Note: LED luminous flux is from the standard product of which colour temperature is 5000K

BnY81-LED 9x1□

Lamp power (W)	Luminous flux	Wattage	Luminous efficacy
9 x 1	910lm	9W	101lm/W

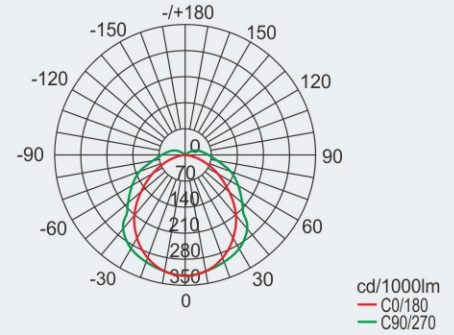
Rated luminous flux (Lamp tube) 9Wx1: 1080lm



BnY81-LED 9x2□

Lamp power (W)	Luminous flux	Wattage	Luminous efficacy
9 x 2	1850lm	18.5W	100lm/W

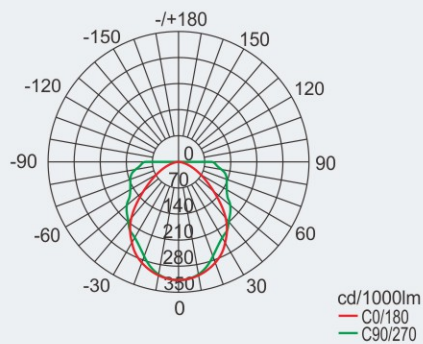
Rated luminous flux (Lamp tube) 9Wx2: 2160lm



BnY81-LED 18x1□

Lamp power (W)	Luminous flux	Wattage	Luminous efficacy
18 x 1	1890lm	18W	105lm/W

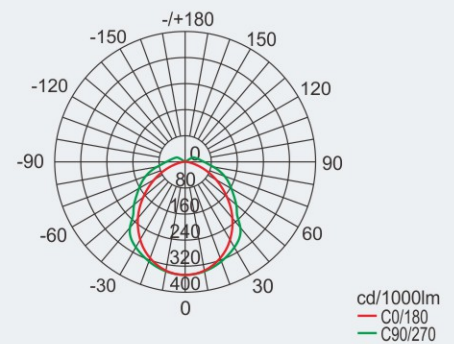
Rated luminous flux (Lamp tube) 18Wx1: 2160lm



BnY81-LED 18x2□

Lamp power (W)	Luminous flux	Wattage	Luminous efficacy
18 x 2	3835lm	36.5W	105lm/W

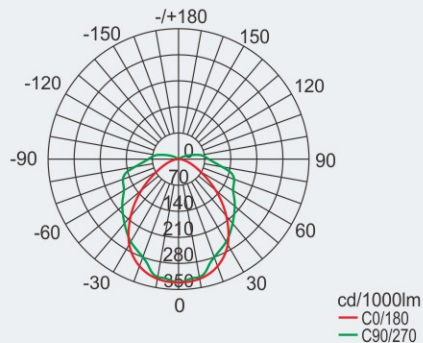
Rated luminous flux (Lamp tube) 18Wx2: 4320lm



BnY81-LED 28x1□

Lamp power (W)	Luminous flux	Wattage	Luminous efficacy
28 x 1	2885lm	28W	103lm/W

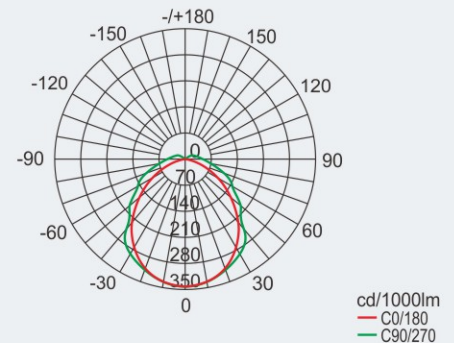
Rated luminous flux (Lamp tube) 28Wx1: 3360lm



BnY81-LED 28x2□

Lamp power (W)	Luminous flux	Wattage	Luminous efficacy
28 x 2	5825lm	56W	104lm/W

Rated luminous flux (Lamp tube) 28Wx2: 6720lm



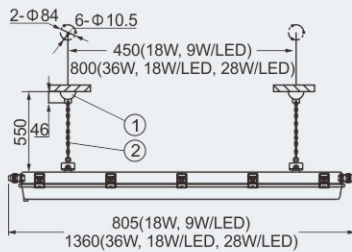
We can provide lighting design and data by professional lighting software DIALUX based upon simulated site situation on request.

Light Fittings for Fluorescent Lamp BnY81 Series Explosion-proof Light Fittings for Fluorescent Lamp

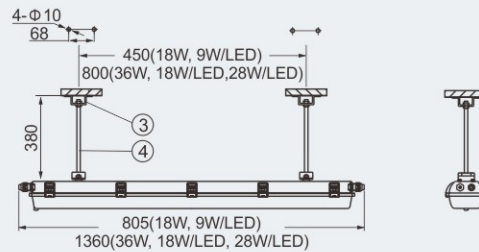
Mounting type (all dimensions in mm) - subject to alteration

Installation reference

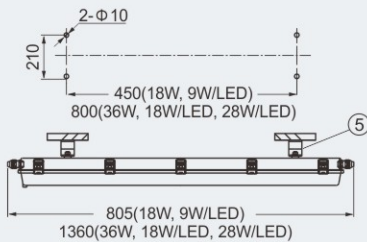
D: pendant chain type



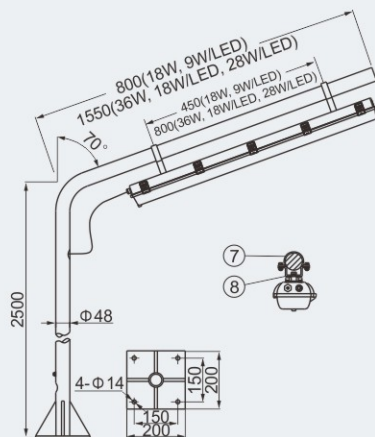
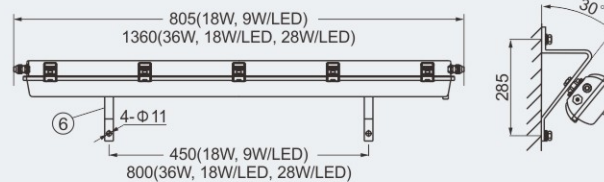
G: pendant pole type



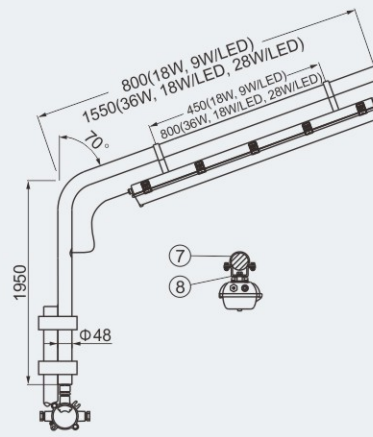
X: ceiling type



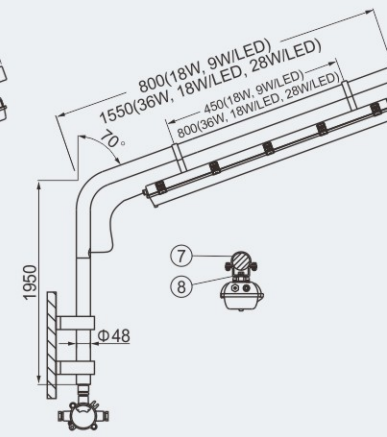
B: wall type



Suitable for ground pole type



Suitable for force pole type



Suitable for wall pole type



Mounting Accessories & Spare Parts Table

Supplied according to the mounting type

Mounting type	Accessories			Ordering code	Weight (kg)
	Name	Qty	Illustration		
D: pendant chain type	①.Sucker	2	See P2/6	5136017	0.15
	②.Chain	2	Length: 450mm	5136016	0.08
G: pendant pole type	③.Mounting bracket	2	Stainless steel, see P2/6	51S01G1	0.04
	④.M8 Screw	2	Stainless steel, length: 350mm	51S01G2	0.12
X: ceiling type	⑤.Mounting bracket	2	Stainless steel, see P2/7	5136015	0.20
B: wall type	⑥.Wall bracket	2	Stainless steel, welded sheet steel	5236B02	0.25
L: pole type	⑦.G1 1/2" Pipe clamp	2	Stainless steel, see P2/7	5136014	0.04
	⑧.Mounting bracket	2	Stainless steel, see P2/7	5136012	0.04

Note: Accessories not in the table shall be supplied by user.